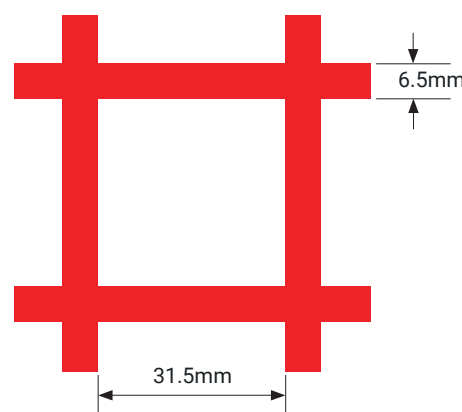


MECHANICAL AND PHYSICAL DATA OF MOULDED SOLID TOP FIBREGLASS GRATING (54, 38 AND 25MM)

Grating Depth (mm)	Bar Thickness		Per 300mm of Width				No. of Bars Per 300mm	% Glass Content	Weight KG/M ²	% Open Area
	Top	Btm	cm ²	cm ³	cm ⁴	EI KG/M ²				
50 x 50.8 +4 plate	7.9	6.4	20.1	16.8	42.8		6	32	34	0
38.1 x 38.1 +4 plate	6.64	5.02	29.8	28.5	60	1857	8	32	25.3	0
25.1 x 38.1 +4 plate	6.5	5	23.7	15.1	22	615	8	32	18.5	0

Weight

- 54mm (grating plus top plate): 34.0kG/metre².
- 42mm (grating plus top plate): 25.3kG/metre².
- 29mm (grating plus top plate): 18.5kG/metre².

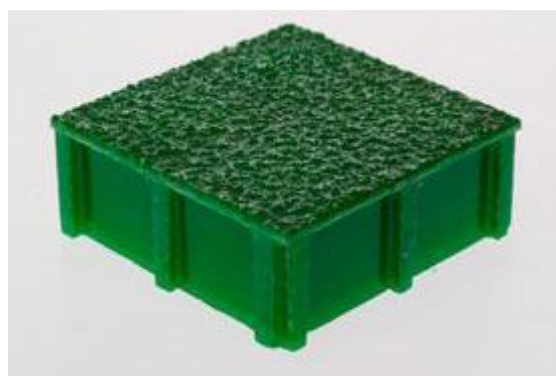


Mechanical Data

- Elastic Modulus 27GPa.
- Flexural Strength 2.8GPa.
- Tensile Strength 650MPa.
- Compressive Strength 90MPa.
- Dielectric Strength 18kW/mm.
- Specific Gravity 1.5÷1.7.
- Thermal Expansion Factor 13×10^{-6} mm/mm °C.
- Water Absorption 0.1% + 0.3% x 24 hours (ISO R62).
- Operating Temperature -100°C to +180°C.

Manufacturing Tolerances

- Standard Panel Size = +2mm, -0mm.
- Cut Panel Size = ±3mm.
- Thickness = ±1mm.
- Mesh Pattern = ±0.5mm.



FÖR MER INFO

Email: info@decksafe.se

Besök: www.decksafe.se

V1-12.09.2020

