

MECHANICAL AND PHYSICAL DATA OF MINI MESH MOULDED FIBREGLASS GRATING (22, 30 AND 38MM)

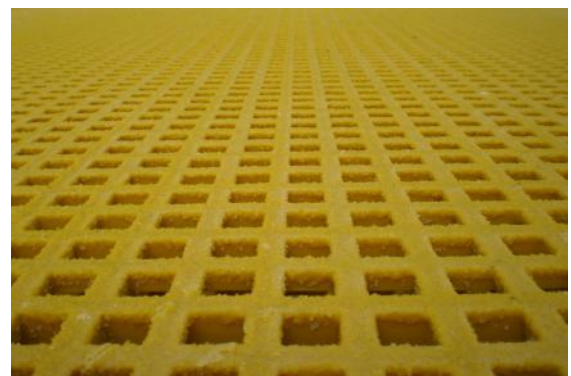
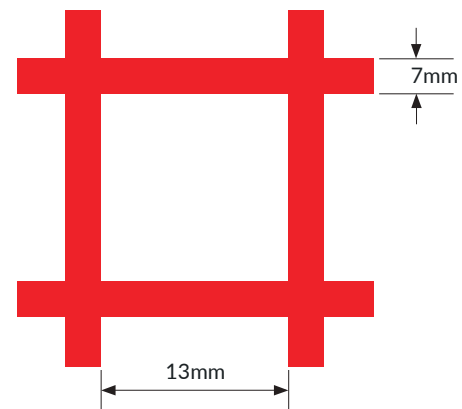
Grating Depth (mm)	Bar Thickness		Per 300mm of Width				No. of Bars Per 300mm	% Glass Content	Weight KG/M ²	% Open Area
	Top	Btm	cm ²	cm ³	cm ⁴	EI KG/M ²				
22	7	5	14.8	4.2	5.5	78.1	15	32.3	16	42
30	7	5	17.9	9.3	17.5	250	15	32.2	18.8	42
30	7	5	21.2	14.7	30.8	448	8	32.2	24.5	42

Weight

- 22 x 20mm: 16KG/metre².
- 30 x 20mm: 18.8KG/metre².
- 38 x 20mm: 24.5KG/metre².

Mechanical Data

- Elastic Modulus 27GPa.
- Flexural Strength 2.8GPa.
- Tensile Strength 650MPa.
- Compressive Strength 90MPa.
- Dielectric Strength 18KW/mm.
- Specific Gravity 1.5÷1.7.
- Thermal Expansion Factor 13 x 10⁻⁶ mm/mm °C.
- Water Absorption 0.1% + 0.3% x 24 hours (ISO R62).
- Operating Temperature -100°C to +180°C.



Manufacturing Tolerances

- Standard Panel Size = +2mm, -0mm.
- Cut Panel Size = ±3mm.
- Thickness = ±1mm.
- Mesh Pattern = ±0.5mm.

FÖR MER INFO

Email: info@decksafe.se

Besök: www.decksafe.se

V1-12.09.2020

