

## COMPOSITE SAFETY GATES

Self-closing Safety Gates have been designed and engineered to provide effective fall protection from personnel accidentally walking into ladder way openings and platforms entry points. Over 15% of all workplace accidents are caused by people falling from platforms or ladders.

Manufactured from durable, corrosion resistant, and maintenance-free polyurethane, Safety Gates have been tested to withstand a load in excess of 250 Kg, in both horizontal and vertical directions. (ISO 14122-3).



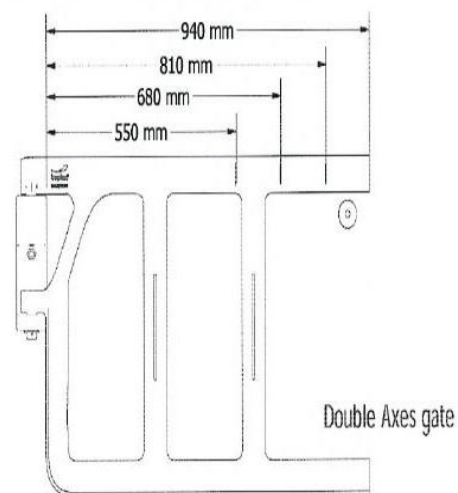
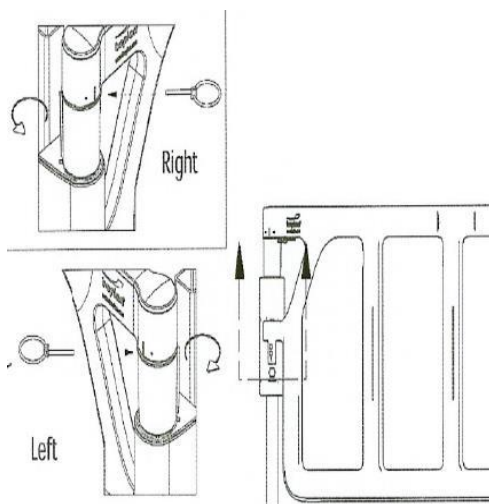
Right-hand double Safety Gate.



Left-hand, single bar Safety Gate.

A uniquely designed hinge forces the gate to swing slightly upwards when pushed open. The force of gravity then allows the Safety Gate to swing back to its original closed position when released.

This relatively simple design ensures that the Safety Gate is never accidentally left open by the operator, and there are no springs, cams, bearings or complicated electrical components which could fail.



## BENEFITS

- ✓ Corrosion Resistant.
- ✓ Maintenance Free.
- ✓ 5 Year Product Warranty.
- ✓ Highly Visible.
- ✓ Durable.

Available in four standard lengths, and either left or right hand swing options Safety Gates are manufactured in a high visibility yellow finish, as standard.

## COMPOSITE SAFETY GATES

### Physical Properties

Density	1050KG/m <sup>3</sup>
Tensile Strength	50N/mm <sup>2</sup>
Compressive Strength	15N/mm <sup>2</sup>
E-Modulus	2000N/mm <sup>2</sup>
Impact Resistance	45KJ/m <sup>2</sup>

Ref	Gate Size	Type	Swing Direction
3011L	Up to 550mm	Double or Single	Left Hand
3011R			Right Hand
3012L	Up to 680mm	Double or Single	Left Hand
3012R			Right Hand
3013L	Up to 810mm	Double or Single	Left Hand
3013R			Right Hand
3014L	Up to 940mm	Double or Single	Left Hand
3014R			Right Hand

Prices are available upon request.

All Safety Gates are supplied with 316 Stainless Steel fixings, as standard, for installation.

**FÖR MER INFO**

Email: [info@decksafe.se](mailto:info@decksafe.se)

Besök: [www.decksafe.se](http://www.decksafe.se)

V1-12.09.2020

